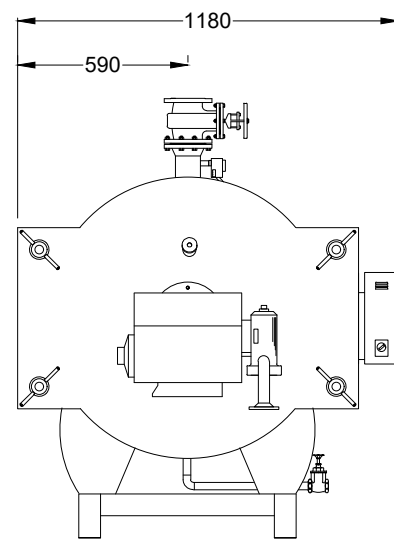
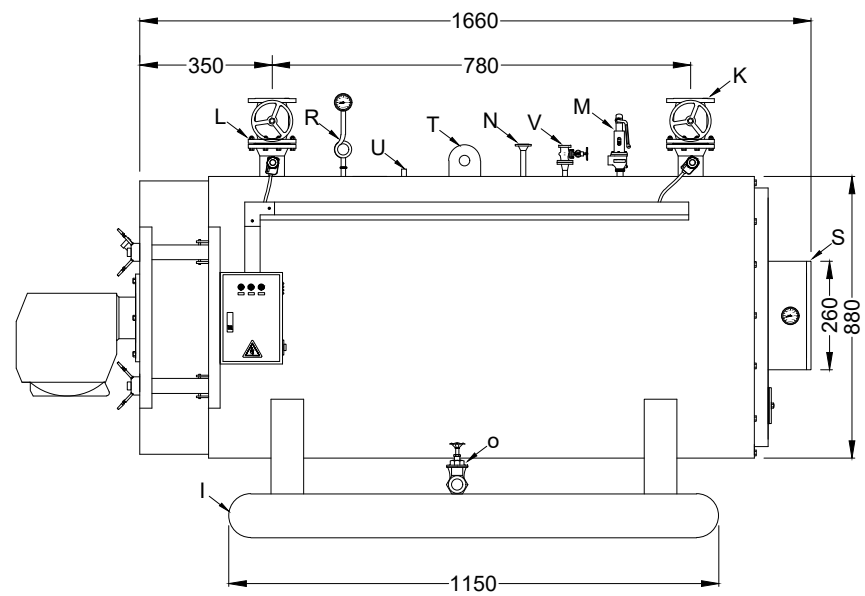
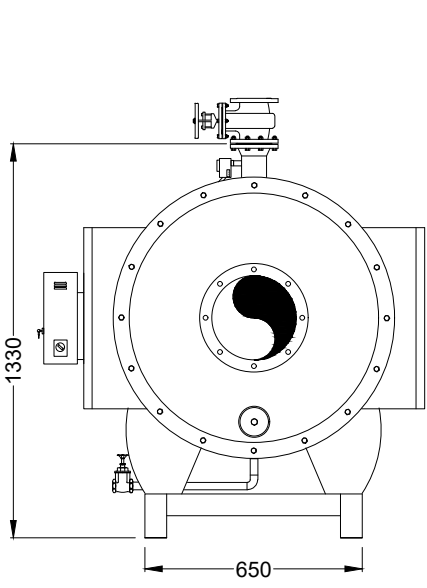


1 2 3 4 5 6 7 8 9 10 11 12

A  
B  
C  
D  
E  
F  
G  
H  
I  
J



**TECHNICAL DATA**

| DESIGN                 |            |
|------------------------|------------|
| DESIGN STANDARD        | BS/EN12953 |
| CAPACITY (kcal/hr)     | 100,000    |
| WORKING PRESSURE (bar) |            |
| CORROSION ALLOWANCE    | 0.75 (mm)  |

| MATERIAL        |                              |
|-----------------|------------------------------|
| SHELL & FURNACE | 17Mn-4 (DIN 17155)           |
| TUBE SHEETS     | 17Mn-4 (DIN 17155)           |
| FIRE TUBES      | St 35.8 (DIN 17175)          |
| FLANGES         | FORGED STEEL ASME B.16.5-150 |

| INSPECTION       |     |
|------------------|-----|
| PENETRATION TEST | YES |
| ULTRASONIC TEST  | YES |
| HYDROSTATIC TEST | YES |

| CONNECTIONS SIZE      |   |      |
|-----------------------|---|------|
| WATER RETURN          | K | 1"   |
| WATER OUTLET          | L | 1"   |
| SAFETY                | M | 3/4" |
| EXPANSION             | N | 3/4" |
| DRAIN                 | O | 1"   |
| STACK Temp. Sensor    | Q | 1/2" |
| TEMPERATURE SENSOR    | R | 1/2" |
| STACK I.D             | S | 10"  |
| CONTROLLER            | U | 1/2" |
| VENT                  | V | 1"   |
| HAND HOLE             | T | 80   |
| SKID I-BEAM SIZE(IPN) | I | 140  |

**GENERAL NOTE**

- 1- ALL DIMENSIONS & ELEVATIONS ARE IN mm.
- 2-THE MAP CONTAINS THE CONSTRUCTION TOLERANCES
- 3-THE MAP PROVIDED IS NOT SCALED. SCALED MAP IS PROVIDED UPON REQUEST.

TITLE:  
REVERSE FLAME BOILER DIMENSION DRAWING

| DRAFTED | CHECKED | APPROVED | CONFIRMED | REV. | SCALE |
|---------|---------|----------|-----------|------|-------|
|         |         |          |           | R02  | NTS   |

VENDOR:



**PACKMAN**  
Industrial Group

