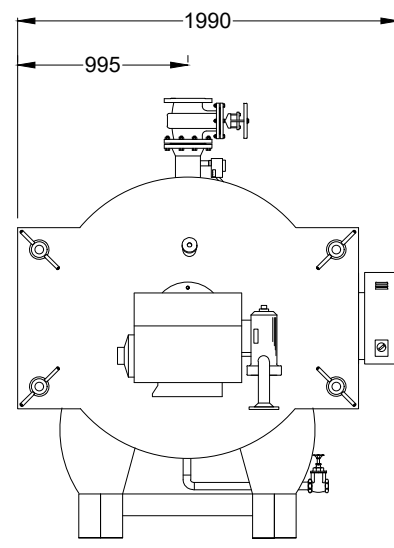
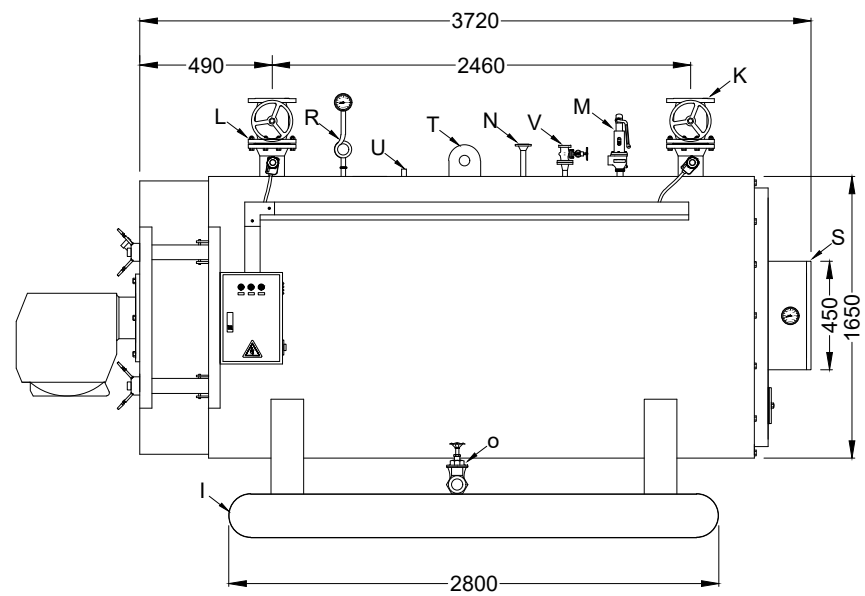
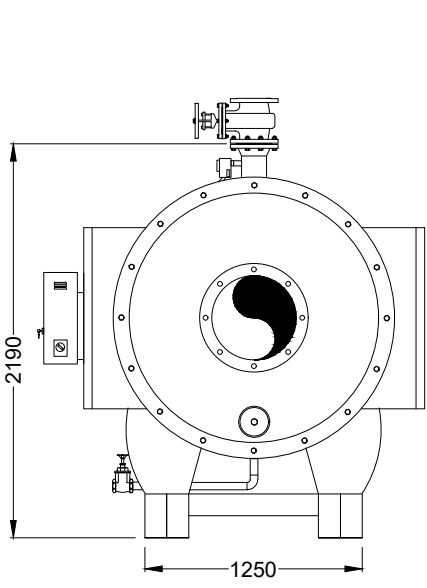


1 2 3 4 5 6 7 8 9 10 11 12

A
B
C
D
E
F
G
H
I
J



TECHNICAL DATA					
DESIGN					
DESIGN STANDARD	BS/EN12953				
CAPACITY (kcal/hr)	2,000,000				
WORKING PRESSURE (bar)					
CORROSION ALLOWANCE	0.75 (mm)				
MATERIAL					
SHELL & FURNACE	17Mn-4 (DIN 17155)				
TUBE SHEETS	17Mn-4 (DIN 17155)				
FIRE TUBES	St 35.8 (DIN 17175)				
FLANGES	FORGED STEEL ASME B.16.5-150				
INSPECTION					
PENETRATION TEST	YES				
ULTRASONIC TEST	YES				
HYDROSTATIC TEST	YES				
CONNECTIONS SIZE					
WATER RETURN	K	5"			
WATER OUTLET	L	5"			
SAFETY	M	2½"			
EXPANSION	N	3"			
DRAIN	O	1½"			
STACK Temp. Sensor	Q	½"			
TEMPERATURE SENSOR	R	½"			
STACK I.D	S	18"			
CONTROLLER	U	½"			
VENT	V	1"			
HAND HOLE	T	106			
SKID I-BEAM SIZE(IPN)	I	160II			
GENERAL NOTE					
1- ALL DIMENSIONS & ELEVATIONS ARE IN mm.					
2-THE MAP CONTAINS THE CONSTRUCTION TOLERANCES					
3-THE MAP PROVIDED IS NOT SCALED. SCALED MAP IS PROVIDED UPON REQUEST.					
TITLE: REVERSE FLAME BOILER DIMENSION DRAWING					
DRAFTED	CHECKED	APPROVED	CONFIRMED	REV.	SCALE
				R02	NTS
VENDOR:					



PACKMAN
Industrial Group

0 1 2 3 4 5 6 7 8 9 10